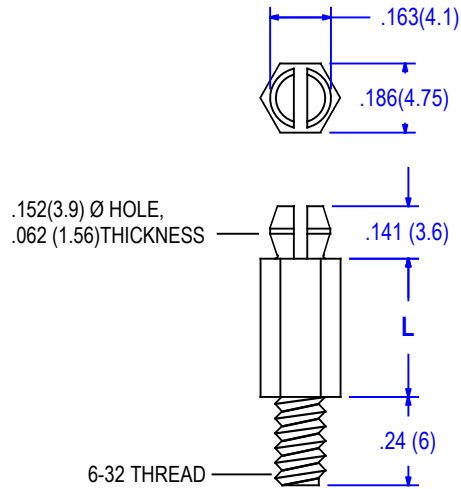


**01-23 SERIES**



ITEM NO.	L	
	In. ± .015	mm. ± 0.4
01 - 23 - 20	.125	3.2
01 - 23 - 30	.187	4.8
01 - 23 - 40	.250	6.4
01 - 23 - 60	.375	9.5
01 - 23 - 80	.500	12.7
01 - 23 - 100	.625	15.9
01 - 23 - 120	.750	19.1
01 - 23 - 140	.875	22.2

PACKAGING : 1000 PER BAG

MATERIAL	NYLON 66
UL RATING	94V-2
UL FILE NO.	E41938
COLOR	NATURAL
ASTM	D 4066, PA111
RoHS COMPLIANCE	YES
TEMPERATURE RANGE (REF.)	-40 to 185°F (-40 to 85°C)
MR NUMBER	12

UL 94V-0 MATERIAL AVAILLE UPON REQUEST  
TO ORDER ADD SUFFIX "X" TO ITEM NUMBER

					BY	DATE	Title MINI PCB SUPPORT, THREADED BASE	
				CUSTOMER				
				VERIFIED				
				REVIEWED			Part No.	Issue
				DRAWN	FL	02/27/15	01-23-series	0
				DIMS. Inches (mm) Tolerance (unless noted) .xx = ±.010 .xxx = .005				
				<b>ALL ELECTRONICS HARDWARE INC.</b> 2642 CORPORATE PARKWAY ALGONQUIN, ILLINOIS . 60102 1-800-778-7234			Drwg. type CATALOG	02/27/15
No	Revision	Date	Init.				File No. 01-23 series	