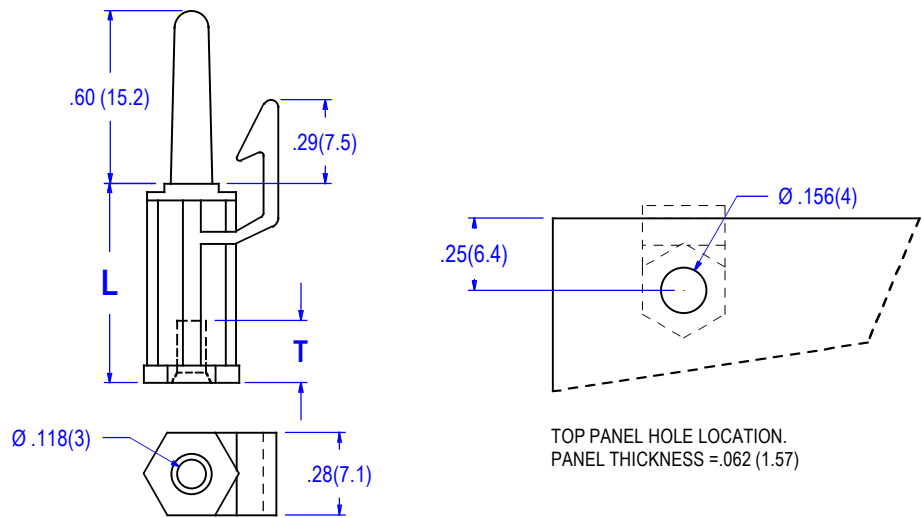


01-73 SERIES



ITEM NO	L		T	
	Inches ± .015	mm ± 0.4	Inches ±.015	mm ±0.4
01-73-40	.250	6.4	.20	5.2
01-73-50	.312	7.9		
01-73-60	.375	9.5		
01-73-80	.500	12.7		
01-73-100	.625	15.9	.25	6.4
01-73-120	.750	19		
01-73-140	.875	22.2		
01-73-160	1.00	25.4		

Recommended mounting screw : # 6, Self-tapping, Type B, Flat-head.
Packaging : 1000 / Bag

MATERIAL	NYLON 66
UL RATING	94V-2
UL FILE NO.	E41938
COLOR	NATURAL
ASTM	D 4066, PA111
RoHS COMPLIANCE	YES
TEMPERATURE RANGE (REF.)	-40 to 185°F (-40 to 85°C)
MR NUMBER	12

UL 94V-0 MATERIAL AVAILABLE UPON REQUEST
TO ORDER ADD SUFFIX "X" TO ITEM NUMBER

					BY	DATE	Title PCB SUPPORT, EDGE LOCK	Issue
				CUSTOMER'S OK			File No. 01-73series	O
				VERIFIED			ALL ELECTRONICS HARDWARE, INC. 2642 CORPORATE PARKWAY ALGONQUIN, IL. 60102 1-800-778-7234	
				REVIEWED				
No	Revision	Date	Init	DRAWN	F. LODI	10-03-14.		10-03-14