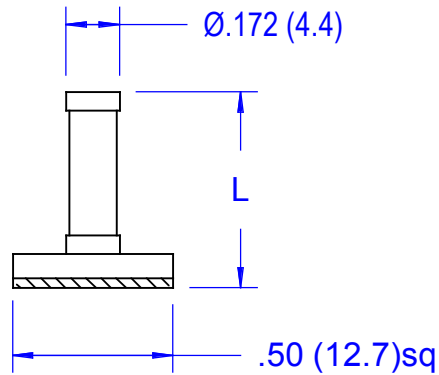


01-78 SERIES



ITEM NO.	L $\pm$ .015 ( 0.38 )	
	In.	mm
01-78-30	.187	4.8
01-78-40	.250	6.35
01-78-50	.312	7.9
01-78-60	.375	9.6
01-78-70	.437	11.1
01-78-80	.500	12.7
01-78-90	.563	14.3
01-78-100	.625	15.9
01-78-120	.750	19.1
01-78-140	.875	22.3
01-78-160	1.00	25.4

PACKAGING: 1000PCS PER BAG

NYLON 66 RATED UL94V-0 AVAILABLE UPON REQUEST  
TO ORDER ADD SUFFIX "X" TO PART NUMBER

DOUBLE ADHESIVE TAPE

ADHESIVE	ACRYLIC	MATERIAL	NYLON 66
CARRIER	POLYETHYLENE	UL RATING	94V-2
THICKNESS	1/32	UL FILE NO.	E41938
COLOR	WHITE	COLOR	NATURAL
UL FILE NO.	NA	RoHS COMPLIANCE	YES
RoHS COMPLIANCE	YES	TEMPERATURE RANGE (REF.)	-40 to 185°F (-40 to 85°C)
SERVICE TEMPERATURE	-4 to 248°F (-20 to 120 °C)	MR NUMBER	12
MR NUMBER	39		

				BY	DATE	Title	
						CIRCUIT BOARD SUPPORT ON BASE	
						Part No.	01-78 SERIES (SEE TABLE)
						Issue	A
						Drwg. type	CATALOG
						File No.	01-78 SERIES
A	Corrected " Item No " column	2-2-16	FL	<b>ALL ELECTRONICS HARDWARE INC.</b> <b>2642 CORPORATE PARKWAY</b> <b>Algonquin, IL. 60102 1-800-778-7234</b>			
No	Revisions	Date	Init.				