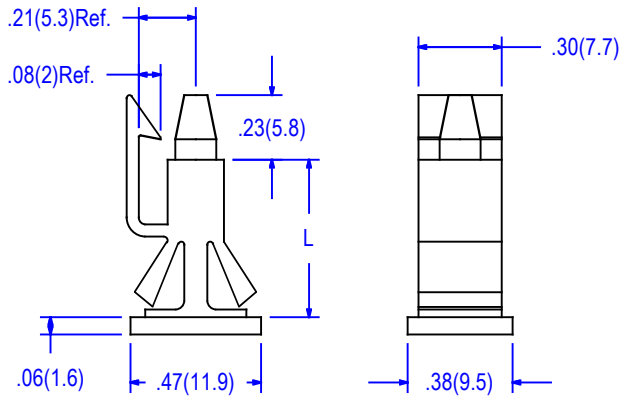
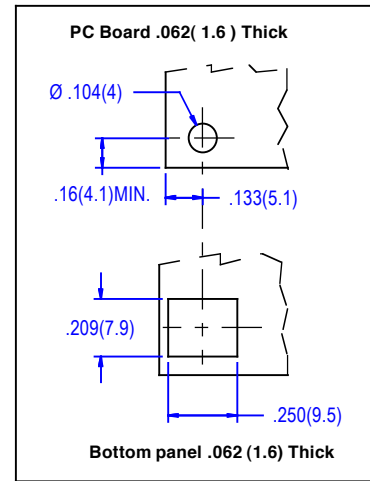


01-79 SERIES



TYPICAL INSTALLATION



ITEM NO.	L	
	In. ±.015	mm. ± 0.4
01-79-50	.375	9.5
01-79-60	.437	11.1
01-79-70	.500	12.7

PACKAGING : 1000 PER BAG

UL 94V-O MATERIAL AVAILABLE UPON REQUEST  
TO ORDER ADD SUFFIX "X" TO ITEM NUMBER

MATERIAL	NYLON 66
UL RATING	94V-2
UL FILE NO.	E41938
COLOR	BLACK
RoHS COMPLIANCE	YES
TEMPERATURE RANGE (REF.)	-40 to 185°F (-40 to 85°C)
MR NUMBER	12

				BY	DATE	Title		
						PC BOARD SUPPORT EDGE LOCKING, REVERSE MOUNT		
							Part No.	Issue
						See table		
				FL	12/08/15		0	
				DIMS. Inches (mm) Tolerance (unless noted) .xx = ±.010 .xxx = .005				
				ALL ELECTRONICS HARDWARE INC. 2642 CORPORATE PARKWAY ALGONQUIN, ILLINOIS . 60102 1-800-778-7234			Drwg. type CATALOG	12/08/15
No	Revision	Date	Init.				File No. 01-79series	