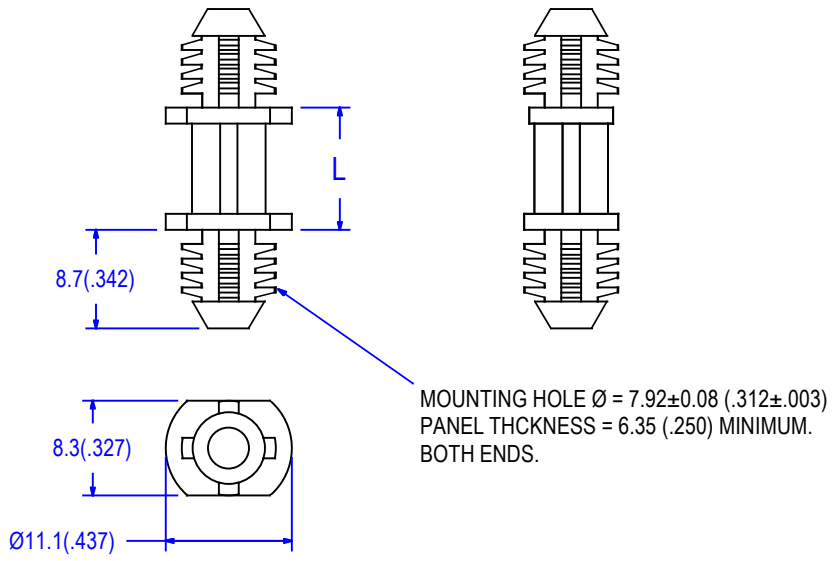


01-82M SERIES



ITEM NO.	L	
	mm ±0.38	Inches ±.015
01-82M- 30	3	.118
01-82M- 40	4	.157
01-82M- 60	6	.236
01-82M- 80	8	.314
01-82M-100	10	.393
01-82M-120	12	.472
01-82M-140	14	.551
01-82M-160	16	.629
01-82M-180	18	.708
01-82M-200	20	.787

PACKAGING : 1000 PER BAG

UL 94V-O MATERIAL AVAILABLE UPON REQUEST
 TO ORDER ADD SUFFIX "X" TO ITEM NUMBER

MATERIAL	NYLON 66
UL RATING	94V-2
UL FILE NO.	E41938
COLOR	NATURAL
RoHS COMPLIANCE	YES
TEMPERATURE RANGE (REF.)	-40 to 185°F (-40 to 85°C)
MR NUMBER	12

No	Revision	Date	Init.	BY	DATE	Title
						DUAL, BLIND HOLE PCB SUPPORT.
						Part No. see table
						Issue O 7-12-16
						Drwg. type Catalog
						File No. 01-82M series
DIMENSIONS : mm (Inches) Tolerance : as noted ALL ELECTRONICS HARDWARE INC. 2642 Corporate Parkway Algonquin, IL. 60102 1-800-778-7234						