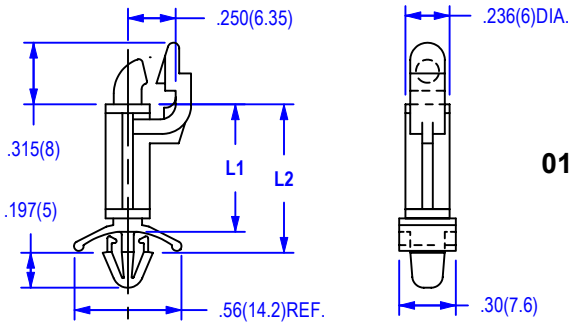


.156 (4) DIA. HOLE, 1/16 (1.6) BD. THICKNESS



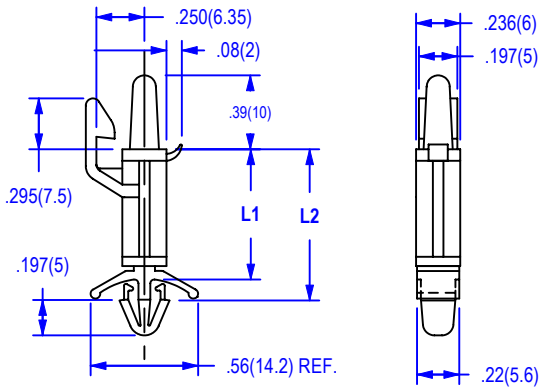
01-02

ITEM NO	L1		L2	
	Inches ±.015	mm ±0.38	Inches ±.015	mm ±0.38
01-02-50	.315	8	.406	10.3
01-02-60	.378	9.6	.469	11.9
01-02-80	.500	12.7	.591	15
01-02-100	.625	15.9	.717	18.2
01-02-120	.752	19.1	.843	21.4
01-02-140	.878	22.3	.969	24.6
01-02-160	1.00	25.4	.109	27.7

.189 (4.8) DIA. HOLE, .020-.079 (0.5-2) MTL. THICKNESS

PACKAGING: 500 PER BAG

.156 (4) DIA. HOLE, 1/16 (1.6) BD. THICKNESS

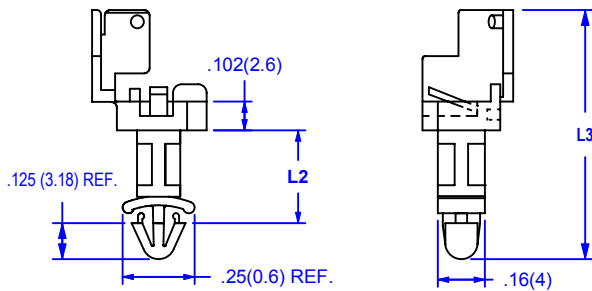
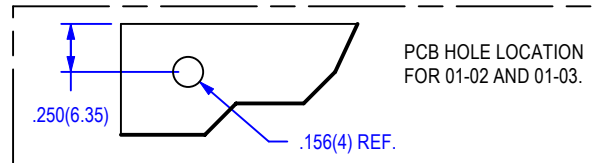


01-03

ITEM NO	L1		L2	
	Inches ±.015	mm ±0.38	Inches ±.015	mm ±0.38
01-03-50	.315	8	.406	10.3
01-03-60	.378	9.6	.469	11.9
01-03-80	.500	12.7	.591	15
01-03-100	.625	15.9	.717	18.2
01-03-120	.752	19.1	.843	21.4
01-03-140	.878	22.3	.969	24.6
01-03-160	1.00	25.4	.109	27.7

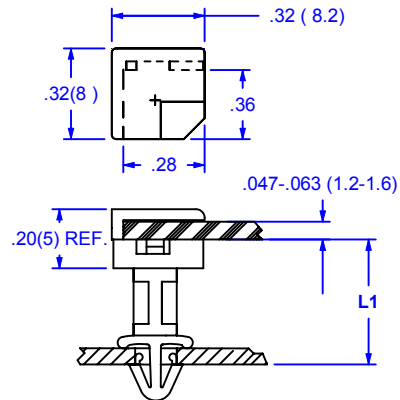
PACKAGING: 500 PER BAG

.189 (4.8) DIA. HOLE, .020-.079 (0.5-2) MTL. THICKNESS



.125 ± .003 (3.1± .076) DIA HOLE,
.047-.063 (1.2 - 1.6) MTL THICKNESS.

01-25



MATERIAL	NYLON 66
UL RATING	94V-2
UL FILE NO.	E53664
COLOR	NATURAL
ASTM	D 4066
RoHS COMPLIANCE	YES
TEMP. RANGE (REF.)	-40 to 185°F (-40 to 85°C)
MR NUMBER	05

ITEM NO	L1		L2		L3 Inches REF.
	Inches ±.015	mm ±0.38	Inches ±.015	mm ±0.38	
01-25-04	.315	8	.213	5.4	.654 16.6
01-25-07	.433	11	.331	8.4	.772 19.6
01-25-12	.630	16	.528	13.4	.969 24.5

.UL94V-O RATED MATERIAL AVAILABLE ON REQUEST.
ADD SUFFIX "X" TO PART NUMBER.

PACKAGING: 500 PER BAG