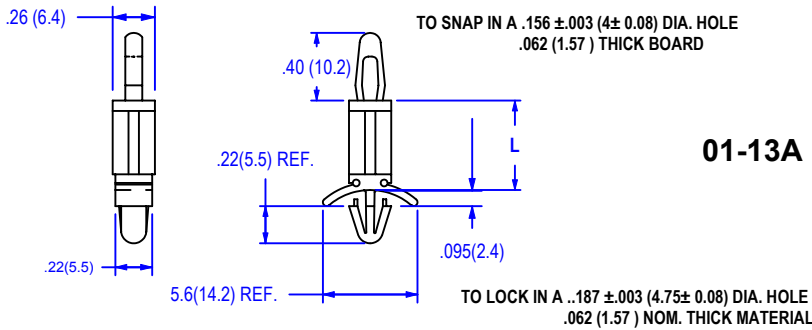


01-13

ITEM NO.	L	
	Inches ± .015	(mm) (± 0.4)
01-13-30	.187	(4.8)
01-13-40	.250	(6.4)
01-13-50	.312	(7.9)
01-13-60	.375	(9.5)
01-13-70	.437	(11.1)
01-13-80	.500	(12.7)
01-13-100	.625	(15.9)
01-13-120	.750	(19.1)
01-13-140	.875	(22.2)
01-13-160	1.00	(25.4)
01-13-180	1.12	(28.6)
01-13-200	1.25	(31.8)
01-13-220	1.38	(34.9)

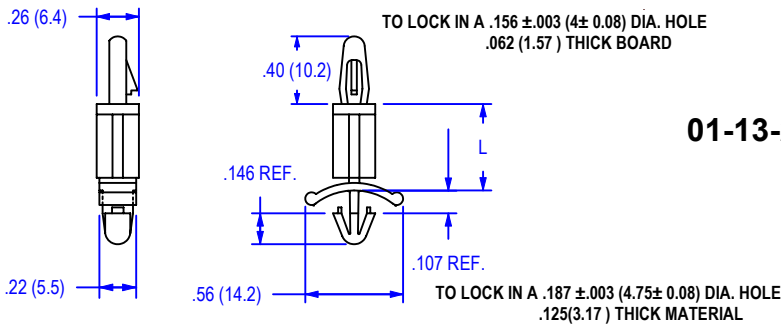
PACKAGING : 500 PER BAG



01-13A

ITEM NO.	L	
	Inches ± .015	(mm) (± 0.4)
01-13A-30	.187	(4.8)
01-13A-40	.250	(6.4)
01-13A-50	.312	(7.9)
01-13A-60	.375	(9.5)
01-13A-70	.437	(11.1)
01-13A-80	.500	(12.7)
01-13A-100	.625	(15.9)
01-13A-120	.750	(19.1)
01-13A-140	.875	(22.2)
01-13A-160	1.00	(25.4)
01-13A-180	1.12	(28.6)
01-13A-200	1.25	(31.8)
01-13A-220	1.38	(34.9)

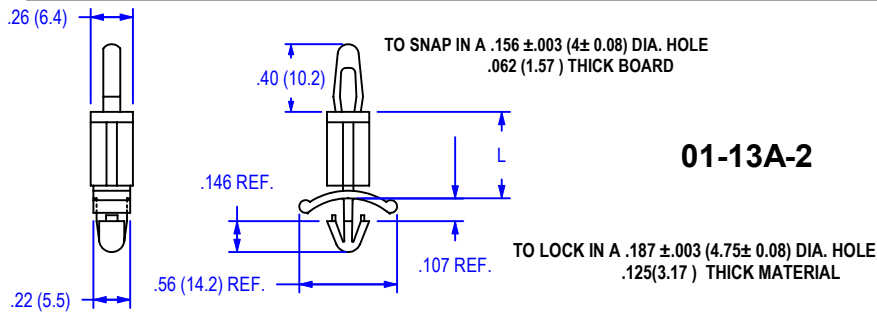
PACKAGING : 500 PER BAG



01-13-2

ITEM NO.	L	
	Inches ± .015	(mm) (± 0.4)
01-13-2-30	.187	(4.8)
01-13-2-40	.250	(6.4)
01-13-2-50	.312	(7.9)
01-13-2-60	.375	(9.5)
01-13-2-70	.437	(11.1)
01-13-2-80	.500	(12.7)
01-13-2-100	.625	(15.9)
01-13-2-120	.750	(19.1)
01-13-2-140	.875	(22.2)
01-13-2-160	1.00	(25.4)
01-13-2-180	1.12	(28.6)
01-13-2-200	1.25	(31.8)
01-13-2-220	1.38	(34.9)

PACKAGING : 500 PER BAG



01-13A-2

ITEM NO.	L	
	Inches ± .015	(mm) (± 0.4)
01-13A-2-30	.187	(4.8)
01-13A-2-40	.250	(6.4)
01-13A-2-50	.312	(7.9)
01-13A-2-60	.375	(9.5)
01-13A-2-70	.437	(11.1)
01-13A-2-80	.500	(12.7)
01-13A-2-100	.625	(15.9)
01-13A-2-120	.750	(19.1)
01-13A-2-140	.875	(22.2)
01-13A-2-160	1.00	(25.4)
01-13A-2-180	1.12	(28.6)
01-13A-2-200	1.25	(31.8)
01-13A-2-220	1.38	(34.9)

PACKAGING : 500 PER BAG

MATERIAL	NYLON 66
UL RATING	94V-2
UL FILE NO.	R70062
COLOR	NATURAL
ASTM	D 4066, PA111
RoHS COMPLIANCE	YES
TEMPERATURE RANGE (REF.)	-40 to 185°F (-40 to 85°C)
MR NUMBER	01

NYLON 66 RATED UL94V-0 AVAILABLE ON REQUEST.
TO ORDER ADD SUFFIX "X" TO PART NUMBER

				ALL ELECTRONICS HARDWARE , INC. 90 NORTH LIVELY BLVD. ELK GROVE VILLAGE, ILLINOIS 60007-1317 TEL.1-800-778-7234		01-13 SERIES PCBS File No. 0113ALLCAT		9-5-05
No	Revision	Date	Init.					