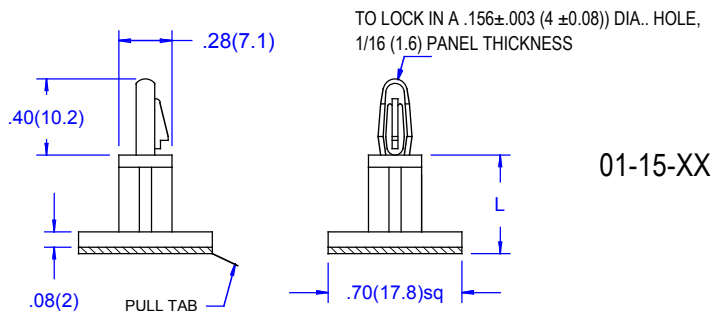


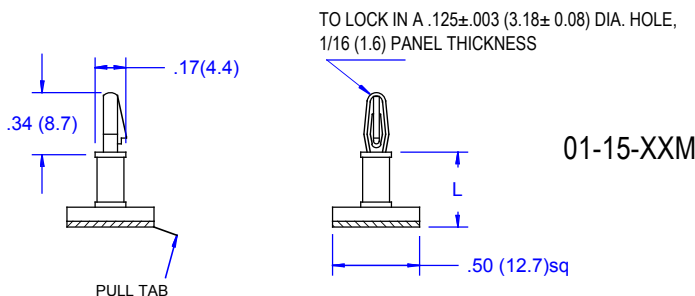
01-15-XX
01-63-XX
01-15-XXM
01-64-XX



01-15-XX

ITEM NO.	L ± .015 (0.38)	
	In.	mm
01-15-30	.187	4.8
01-15-40	.250	6.35
01-15-60	.375	9.6
01-15-80	.500	12.7
01-15-100	.625	15.9
01-15-120	.750	19.1
01-15-140	.875	22.3
01-15-160	1.00	25.4
01-15-180.	1.125	28.6.

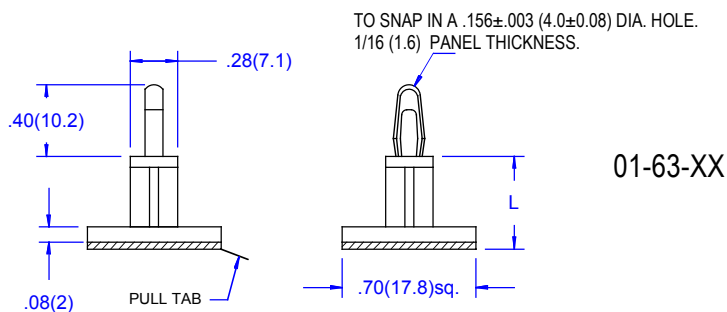
PACKAGING: 1000 PCS PER BAG



01-15-XXM

ITEM NO.	L ± .015 (0.38)	
	In.	mm
01-15-30M	.187	4.8
01-15-40M	.250	6.35
01-15-50M	.312	7.9
01-15-60M	.375	9.6
01-15-70M	.437	11.1
01-15-80M	.500	12.7
01-15-90M	.563	14.3
01-15-100M	.625	15.9

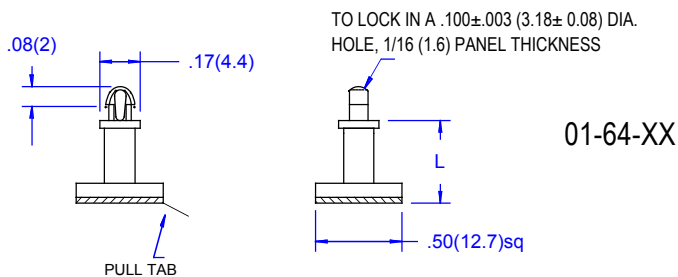
PACKAGING: 1000 PCS PER BAG



01-63-XX

ITEM NO.	L ± .015 (0.38)	
	In.	mm
01-63-30	.187	4.8
01-63-40	.250	6.35
01-63-60	.375	9.6
01-63-80	.500	12.7
01-63-100	.625	15.9
01-63-120	.750	19.1
01-63-140	.875	22.3
01-63-160	1.0	25.4
.01-63-180	1.125	28.6

PACKAGING: 500PCS PER BAG



01-64-XX

ITEM NO.	L ± .015 (0.38)	
	In.	mm
01-64-30	.187	4.8
01-64-40	.250	6.35
01-64-50	.312	7.9
01-64-60	.375	9.6
01-64-70	.437	11.1
01-64-80	.500	12.7
01-64-90	.563	14.3
01-64-100	.625	15.9

PACKAGING: 1000PCS PER BAG

DOUBLE SIDED TAPE SPECIFICATION

ADHESIVE	ACRYLIC
CARRIER	POLYETHYLENE
THICKNESS	1/32
COLOR	WHITE
UL FILE NO.	NA
RoHS COMPLIANCE	YES
SERVICE TEMPERATURE	-4 to 248°F (-20 to 120 °C)
MR NUMBER	39

MATERIAL	NYLON 66
UL RATING	94V-2
UL FILE NO.	E41938
COLOR	NATURAL
ASTM	D 4066, PA111
RoHS COMPLIANCE	YES
TEMPERATURE RANGE (REF.)	-40 to185°F (-40 to 85°C)
MR NUMBER	12

NYLON 66 RATED UL94V-0 AVAILABLE UPON REQUEST
TO ORDER ADD SUFFIX "X" TO PART NUMBER

B	Changed tape specification	-05-30-14	FL	ALL ELECTRONICS HARDWARE , INC. 2642 CORPORATE PARKWAY ALGONQUIN, IL. 60102 1-800-778-7234	Title	PCB SUPPORT ON BASE	Issue	B
A	modified spacer of series 01-15-XXM	10-14-11	FL		File No.	011515M6364		05-30-14
No	Revision	Date	By					