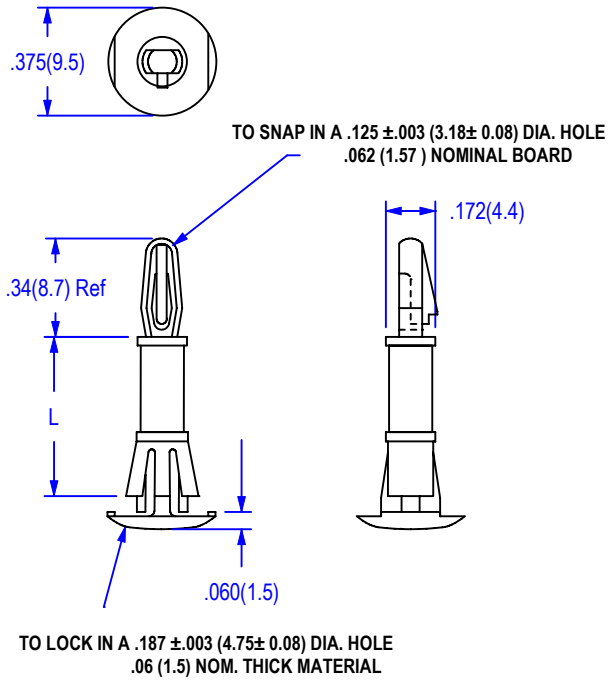


01-26 SERIES



ITEM NO.	L ± .015(0.38)	
	In.	mm
01-26-40	.250	6.35
01-26-50	.312	7.9
01-26-60	.375	9.6
01-26-70	.437	11.1
01-26-80	.500	12.7
01-26-90	.563	14.3
01-26-100	.625	15.9

PACKAGING: 1000 / BAG

MATERIAL	NYLON 66
UL RATING	94V-2
UL FILE NO.	E41938
COLOR	NATURAL
ASTM	D 4066, PA111
RoHS COMPLIANCE	YES
TEMPERATURE RANGE (REF.)	-40 to 185°F (-40 to 85°C)
MR NUMBER	12

				ALL ELECTRONICS HARDWARE, INC. 2642 CORPORATE PARKWAY ALGONQUIN, IL. 60102 1-800-778-7234		Title PCB SUPPORT, REVERSE LOCK		Issue 0	
No	Revision	Date	Init.			File No. 0126SERIES		Date 04/22/08	