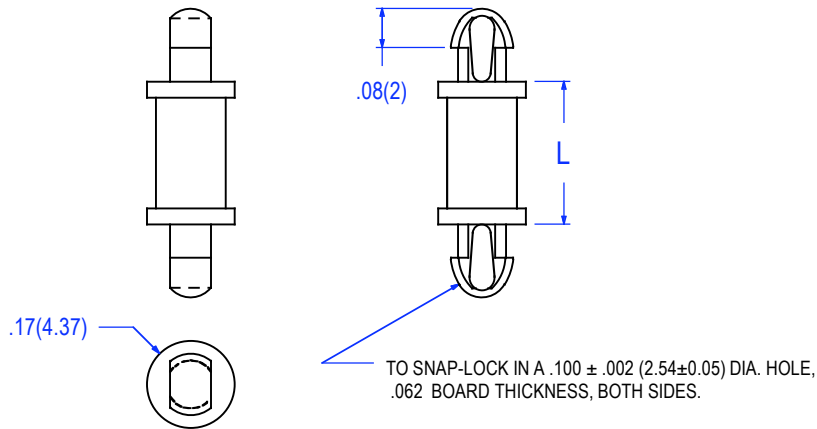


01-28 SERIES



ITEM NO.	L	
	In. +/- .015	mm. 0.4
01-28-10	.062	1.6
01-28-20	.125	3.2
01-28-30	.187	4.8
01-28-40	.250	6.4
01-28-50	.312	7.9
01-28-60	.375	9.5
01-28-70	.437	11.1
01-28-80	.500	12.7
01-28-100	.625	15.9

PACKAGING : 1000 PER BAG

MATERIAL	NYLON 66
UL RATING	94V-2
UL FILE NO.	E41938
COLOR	NATURAL
ASTM	D 4066, PA111
RoHS COMPLIANCE	YES
TEMPERATURE RANGE (REF.)	-40 to 185°F (-40 to 85°C)
MR NUMBER	12

				BY	DATE	Title <i>PCB SUPPORT, DUAL LOCK, MINIATURE</i>	Issue
						File No. 0128series	O
						ALL ELECTRONICS HARDWARE, INC. 2642 CORPORATE PARKWAY ALGONQUIN, IL. 60102 1-800-778-7234	
No	Revision	Date	Init	REVIEWED	F. LODI	.11/17/09	11-17-09
		Date	Init	DRAWN	F. LODI	.11/17/09	