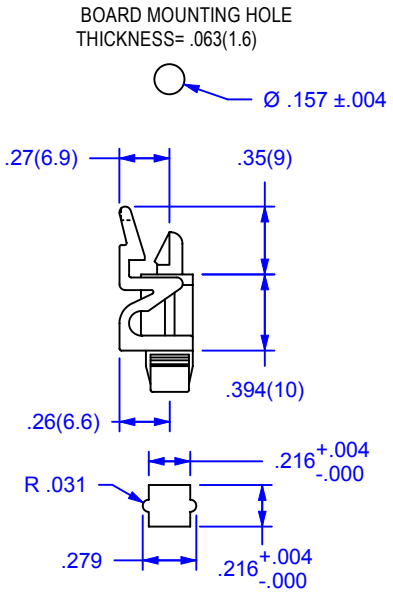
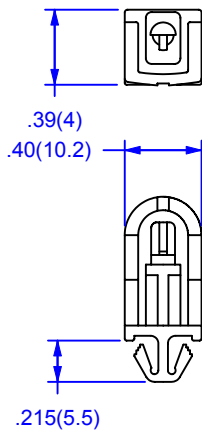
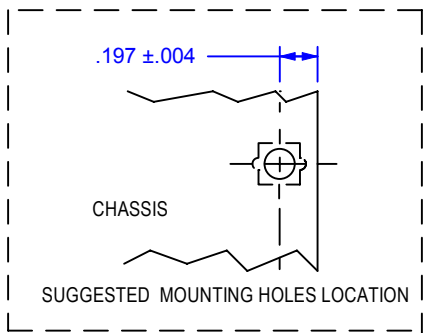


01-45-60



CHASSIS MOUNTING HOLE
THICKNESS RANGE .02-.047 (0.5-1.2)

BOARD MOUNTING HOLE
THICKNESS=.063(1.6)
Ø .157 ±.004



MATERIAL	NYLON 66
UL RATING	94V-2
UL FILE NO.	E53664
COLOR	NATURAL
ASTM	D 4066, PA111
RoHS COMPLIANCE	YES
TEMPERATURE RANGE (REF.)	-40 to 185°F (-40 to 85°C)
MR NUMBER	05

				Drwn. by:	Name	Date	Title	
					fl	03/07/06	PCB SUPPORT, EDGE MOUNT.	
				Unit:	INCHES (mm)			
				Tolerance (unless noted) .XXX=.005 .XX=.010			Part No.	Issue
				Customer XXX			01-45-06	0
				ALL ELECTRONICS HARDWARE, INC. 90 NORTH LIVELY BLVD. ELK GROVE VILLAGE, ILLINOIS 60007-1317 TEL.1-800-778-7234			Drwg. type	.cat
							File No.	0145cat
No	Revision	Date	Init.					