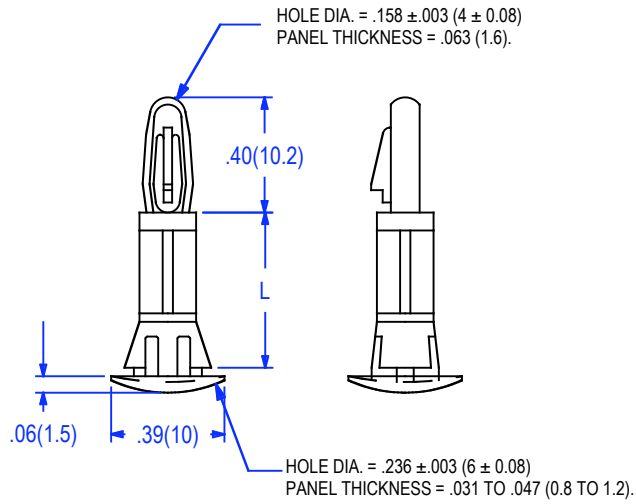


0158 SERIES



ITEM NO.	L	
	In. +/- .015	mm. 0.4
01-58-30	.187	4.8
01-58-40	.250	6.4
01-58-50	.312	7.9
01-58-60	.375	9.5
01-58-80	.500	12.7
01-58-120	.750	19.1

Notes

1. PACKAGING : 1000 PER BAG.
2. V-0 RATED NYLON AVAILABLE ON REQUEST.
 TO ORDER ADD SUFFIX "X" TO ITEM NUMBER.

MATERIAL	NYLON 66
UL RATING	94V-2
UL FILE NO.	E41938
COLOR	NATURAL
ASTM	D 4066, PA111
RoHS COMPLIANCE	YES
TEMPERATURE RANGE (REF.)	-40 to 185°F (-40 to 85°C)
MR NUMBER	12

				ALL ELECTRONICS HARDWARE , INC.	Title	PCB SUPPORT, REVERSE LOCK	Issue	0
				2642 CORPORATE PARKWAY	File	0158SERIES	Date	12/09/08
No	Revision	Date	Init	ALGONQUIN, IL. 60102 1-800-778-7234	No.			