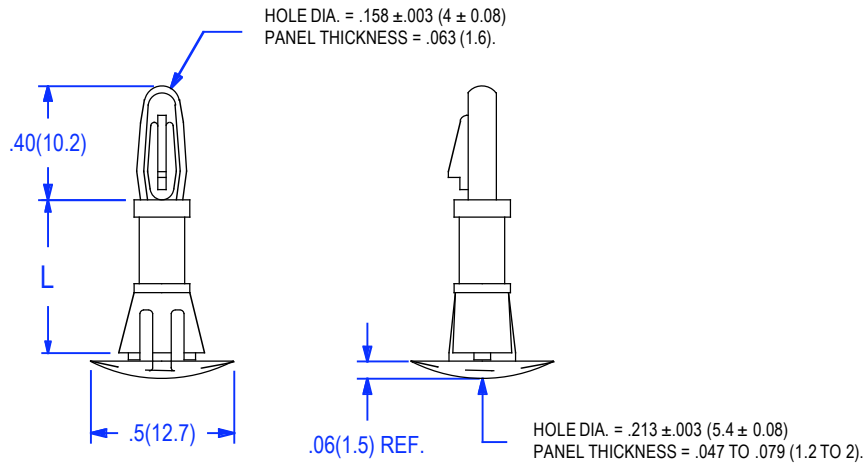


01-59 SERIES



ITEM NO.	L	
	In. +/- .015	mm. 0.4
01-59-40	.250	6.4
01-59-60	.312	7.9
01-59-80	.500	12.7
01-59-100	.625	15.9

- NOTES:
 1. PACKAGING: 1000 PCS PER BAG
 2. V-0 RATED NYLON AVAILABLE ON REQUEST.
 TO ORDER ADD SUFFIX "X" TO ITEM NUMBER.

MATERIAL	NYLON 66
UL RATING	94V-2
UL FILE NO.	E41938
COLOR	NATURAL
ASTM	D 4066, PA111
RoHS COMPLIANCE	YES
TEMPERATURE RANGE (REF.)	-40 to 185°F (-40 to 85°C)
MR NUMBER	12

No	Revision	Date	Init	DRAWN	FL	DATE	02 09 09	Title	PCB SUPPORT, REVERSE LOCK	Issue	A
A	01-59-100 was .750	3 6 09	FL	REVIEWED	FL	03 06 09		File No.	0159SERIES		
				CUSTOMER APPROVAL	.						
				VERIFIED	.						
								ALL ELECTRONICS HARDWARE, INC.			
								2642 CORPORATE PARKWAY			
								ALGONQUIN, IL. 60102			
								1-800-778-7234			3-6-09