

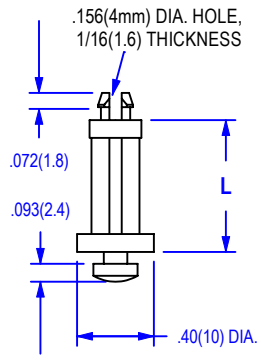
**01-10**

ITEM NO.	DIM L	
	Inches ±.015	mm ± 0.38
01-10-40	.250	6.4
01-10-60	.375	9.5
01-10-80	.500	12.7
01-10-90	.562	14.3
01-10-100	.625	15.9
01-10-120	.750	19.1
01-10-140	.875	22.2
01-10-160	1.00	25.4
01-10-180	1.13	28.6
01-10-220	1.38	34.9

PACKAGING: 500 PCS PER BAG

MR NUMBER -05

HOLE FOR #6 (3.5) SELF TAPPING SCREW (TYPE B)  
NOTE: FOR P/N 01-10-40, HOLE DEPTH IS .20(5.1)

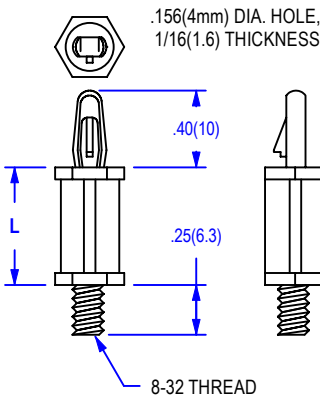
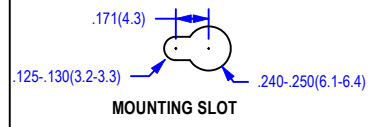


**01-12**

ITEM NO.	DIM L	
	Inches ±.015	mm ±0.38
01-12-30	.187	4.8
01-12-40	.250	6.4
01-12-60	.375	9.5
01-12-80	.500	12.7
01-12-100	.625	15.9
01-12-120	.750	19.1
01-12-140	.875	22.2
01-12-160	1.00	25.4

PACKAGING: 500 PCS PER BAG

MR NUMBER -12



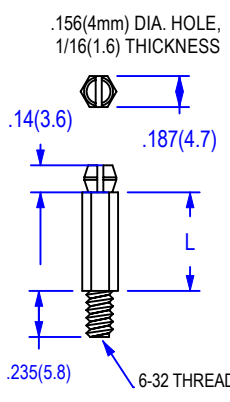
**01-14**

ITEM NO.	DIM L	
	Inches ±.015	mm ±0.38
01-14-40	.250	6.4
01-14-60	.375	9.5
01-14-80	.500	12.7
01-14-100	.625	15.9
01-14-120	.750	19.1
01-14-140	.875	22.2
01-14-160	1.00	25.4
01-14-180	1.125	28.6

PACKAGING: 500 PCS PER BAG

MR NUMBER -12

8-32 THREAD



**01-23**

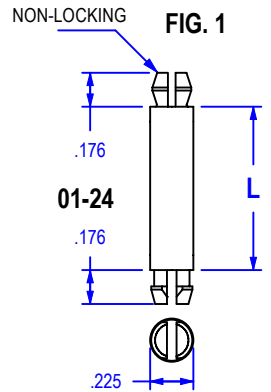
ITEM NO.	DIM L	
	Inches ±.015	mm ±0.38
01-23-20	.125	3.2
01-23-30	.187	4.8
01-23-40	.250	6.4
01-23-60	.375	9.5
01-23-80	.500	12.7
01-23-100	.625	15.9
01-23-120	.750	19.1
01-23-140	.875	22.2

PACKAGING: 500 PCS PER BAG

MR NUMBER -12

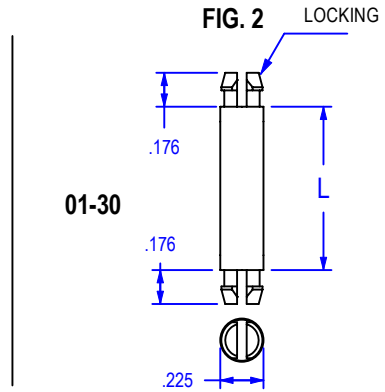
6-32 THREAD

.152 ±.003 ( 3.86±0.08) DIA. HOLE.  
1/16 (1.6) PANEL THICKNESS, BOTH ENDS



**FIG. 1**

**01-24**



**FIG. 2**

**01-30**

MATERIAL	NYLON 66
UL RATING	94V-2
UL FILE NO.	R70062
COLOR	NATURAL
ASTM	D 4066,
RoHS COMPLIANCE	YES
TEMP. RANGE (REF.)	-40 to 185°F (-40 to 85°C)
MR NUMBER	01

**01-24**

**01-30**

FIG. 1 ITEM NO.	FIG. 2 ITEM NO.	DIM L	
		Inches ±.015	mm ±0.38
01-24-20	01-30-20	.125	3.2
01-24-30	01-30-30	.187	4.8
01-24-40	01-30-40	.250	6.4
01-24-50	01-30-50	.312	7.9
01-20-60	01-30-60	.375	9.5
01-24-70	01-30-70	.437	11.1
01-24-80	01-30-80	.500	12.7
01-24-90	01-30-90	.562	14.3
01-24-100	01-30-100	.625	15.9
01-24-110	01-30-110	.687	17.5
01-24-120	01-30-120	.750	19.1
01-24-130	01-30-130	.812	20.6
01-24-140	01-30-140	.875	22.2
01-24-160	01-30-160	1.00	25.4
01-24-180	01-30-180	1.13	28.6
01-24-200	01-30-200	1.25	31.7
01-24-220	01-30-220	1.38	34.9
01-24-240	01-30-240	1.5	38.1

PACKAGING: 1000 PCS PER BAG

NYLON 66 RATED UL94V-0 AVAILABLE ON REQUEST.  
TO ORDER ADD SUFFIX "X" TO PART NO.

.A			
No	Revision	Date	Init.

ALL ELECTRONICS HARDWARE , INC.  
90 NORTH LIVELY BLVD.  
ELK GROVE VILLAGE, ILLINOIS  
60007-1317 TEL.1-800-778-7234

PC SUPPORTS, MISC  
File No. 01KCATPAGE

11/25/05