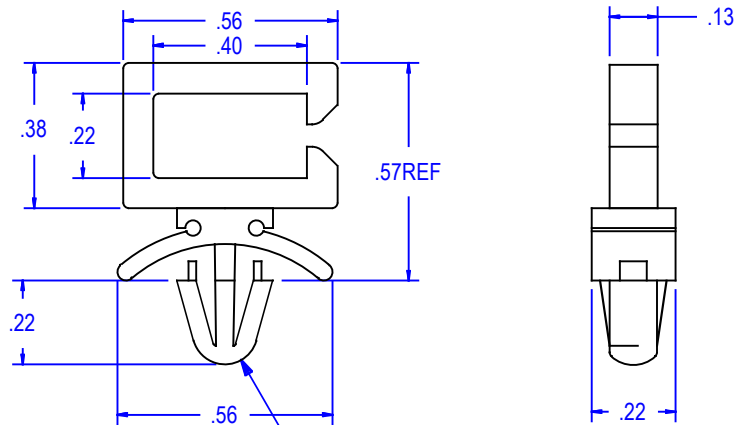


03-02-10



TO LOCK IN A.  
 .187 ±.003 (4.75±0.08) DIA HOLE  
 1/16 (1.6) BOARD THICKNESS

PACKAGING : 500PER BAG

MATERIAL	NYLON 66
UL RATING	94V-2
UL FILE NO.	E70062
COLOR	NATURAL
ASTM	D 4066, PA111
RoHS COMPLIANCE	YES
TEMPERATURE RANGE (REF.)	-40 to 185°F (-40 to 85°C)
MATERIAL NUMBER	MR-01

				BY	DATE	Title	
						<b>WIRE ROUTING CLIP</b>	
						SIDE ENTRY	
				VERIFIED		Part No.	Issue
				REVIEWED	FL	03-02-10.	0
				DRAWN	FL	.08-14-13	08/14/13
				DIMENSIONS    Inches    mm    Tolerance .xx = ± .010    .xxx = .005			
				ALL ELECTRONICS HARDWARE INC. 2642 Corporate Parkway Algonquin, IL. 60102    1-800-778-7234			Drwg. type SALES
No	Revision	Date	Init.	File No. 03-02-10C			