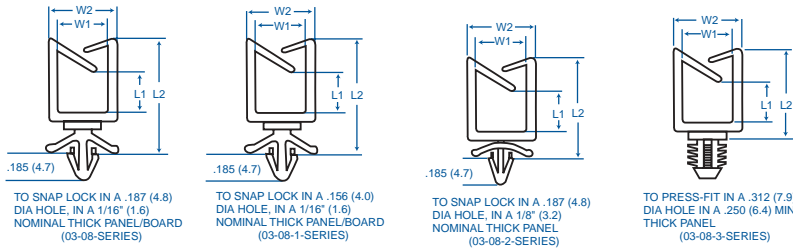


08 SERIES

- Tension arm wire saddle



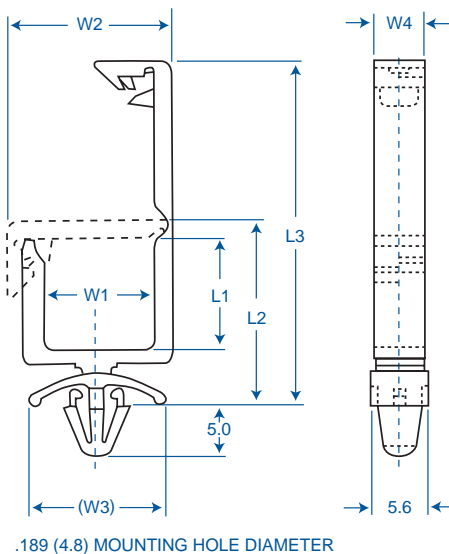
	ITEM NO.	
	UL94V-2	UL94V-0
COLOR:	Natural	White
PACKAGING:	500/bag	500/bag
MATERIAL:	Nylon 66 (E70062)	Nylon 66 (upon Request)

ITEM NO.		L1 Inches (mm)	L2 Inches (mm)	W1 Inches (mm)	W2 Inches (mm)
UL94V-2	UL94V-0				
03-08-20	03-08-20X	.555 (14.1)	1.24 (31.5)	.600 (15.2)	.772 (19.6)
03-08-1-20	03-08-1-20X	.555 (14.1)	1.24 (31.5)	.600 (15.2)	.772 (19.6)
03-08-2-20	03-08-2-20X	.555 (14.1)	1.24 (31.5)	.600 (15.2)	.772 (19.6)
03-08-3-20	03-08-3-20X	.555 (14.1)	1.08 (27.4)	.600 (15.2)	.772 (19.6)



04 SERIES

- Wide entry eases wire insertion; allowing for side or funnel entry of wires
- Side locking design holds wire securely in position yet is releasable
- Minimal board protrusion on chassis underside; suitable for limited space applications
- Material: UL94V-2 (E53664)
UL94V-0 (E41797)



	ITEM NO.	
	UL94V-2	UL94V-0
COLOR:	Natural	White
PACKAGING:	500/bag	500/bag
MATERIAL:	Nylon 66	Nylon 66



ITEM NO.		L1 inches (mm)	L2 inches (mm)	L3 inches (mm)	W1 inches (mm)	W2 inches (mm)	W3 inches (mm)	W4 inches (mm)	Chassis Thickness inches (mm)
UL94V-2	UL94V-0								
03-04-10	03-04-10X	.236 (6.0)	.543 (13.8)	1.165 (29.6)	.433 (11.0)	.657 (16.7)	.559 (14.2)	.197 (5.0)	.024-.079 (.6-2)
03-04-20	03-04-20X	.433 (11.0)	.740 (18.8)	1.362 (34.6)	.433 (11.0)	.657 (16.7)	.559 (14.2)	.197 (5.0)	.024-.079 (.6-2)
03-04-30	03-04-30X	.669 (17.0)	.976 (24.8)	1.673 (42.5)	.520 (13.2)	.748 (19.0)	.559 (14.2)	.217 (5.5)	.024-.079 (.6-2)
03-04-40	03-04-40X	.906 (23.0)	1.264 (32.1)	2.177 (55.3)	.709 (18.0)	.965 (24.5)	.717 (18.2)	.236 (6.0)	.024-.079 (.6-2)
03-04-41	03-04-41X	.906 (23.0)	1.311 (33.3)	2.224 (56.5)	.709 (18.0)	.965 (24.5)	.717 (18.2)	.236 (6.0)	.079-.126 (2.0-3.2)