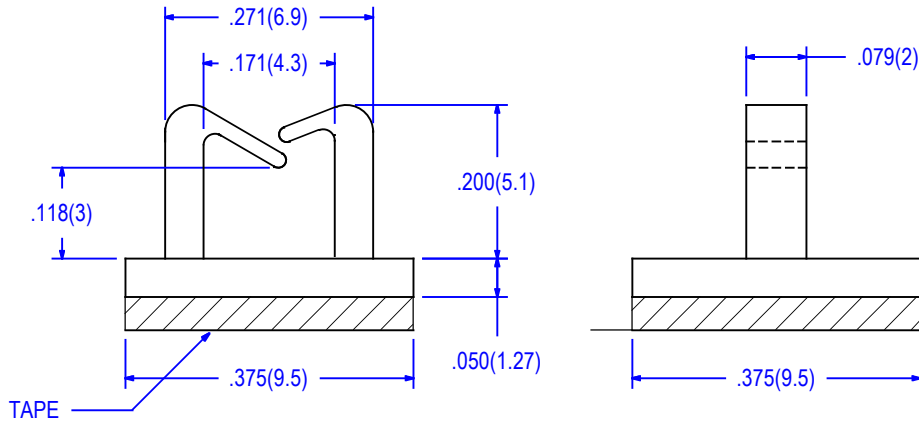


03-19-108



PART NO 03-19-108 = 94V-2 RATED NYLON, (MR 05)  
 03-19-108X = 94V-0 RATED NYLON, (MR 51)

TAPE:

DOUBLE SIDED, RUBBER BASE ADHESIVE  
 .043 (1.1mm) THICK  
 MAX. OPERATING TEMPERATURE 194 °F (90 °C).  
 COLOR :WHITE.  
 MR 52.

PACKAGING : 500 PCS. PER BAG.

MATERIAL	NYLON 6
UL RATING	94V-2
UL FILE NO.	E53664
COLOR	NATURAL
RoHS COMPLIANCE	YES
TEMPERATURE RANGE (REF.)	-40 to 185°F (-40 to 85°C)
MR NUMBER	05

MATERIAL	NYLON 6
UL RATING	94V-0
UL FILE NO.	E172082
COLOR	NATURAL
RoHS COMPLIANCE	YES
TEMPERATURE RANGE (REF.)	-40 to 220°F (-40 to 105°C)
MR NUMBER	51

					BY	DATE	Title WIRE ROUTING CLIP, MINIATURE.	
				CUSTOMER APPROVAL				
				VERIFIED				
				REVIEWED	FL		Part No.	Issue
				DRAWN	FL	11-09-15	03-19-108	O
				DIMENSIONS    Inches    mm    Tolerance .xx = ± .010    .xxx = .005				
				ALL ELECTRONICS HARDWARE INC. 2642 Corporate Parkway Algonquin, IL. 60102    1-800-778-7234			Drwg. type	CATALOG
							File No.	03-19-108
No	Revision	Date	Init.					11-09-15