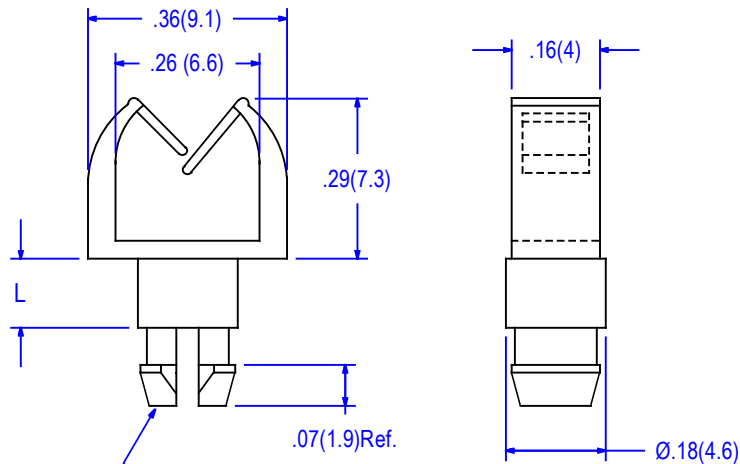


03-84 SERIES



HOLE Ø .150±.003 (3.8±0.08)  
BOARD THICKNESS .062 (1.6)

ITEM NO	L	
	Inch	mm
03-84-1-16	.16	4.1
03-84-1-30	.30	7.7

PACKAGING : 1000 PER BAG

UL 94V-O MATERIAL AVAILABLE UPON REQUEST  
TO ORDER ADD SUFFIX "X" TO ITEM NUMBER

MATERIAL	NYLON 66
UL RATING	94V-2
UL FILE NO.	E41938
COLOR	NATURAL
RoHS COMPLIANCE	YES
TEMPERATURE RANGE (REF.)	-40 to 185°F (-40 to 85°C)
MR NUMBER	12

				BY	DATE	Title	
						WIRE ROUTING SADDLE	
						MINIATURE.	Issue
						SEE CHART	0
						DIMS. Inches (mm) Tolerance (unless noted) .xx = ±.010 .xxx = .005	
						ALL ELECTRONICS HARDWARE INC. 2642 CORPORATE PARKWAY ALGONQUIN, ILLINOIS . 60102 1-800-778-7234	Drwg. type CATALOG
						File No. 03-84SERIES	11-02-20
No	Revision	Date	Init.				