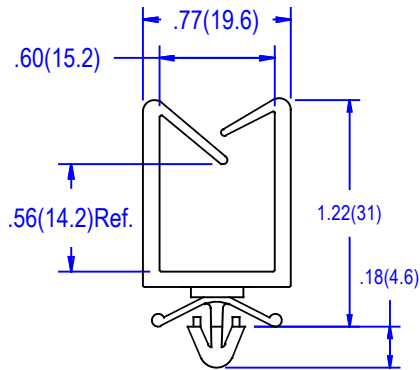


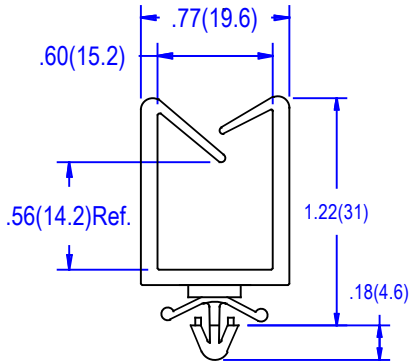
**03-08 SERIES**

**03-08-20**



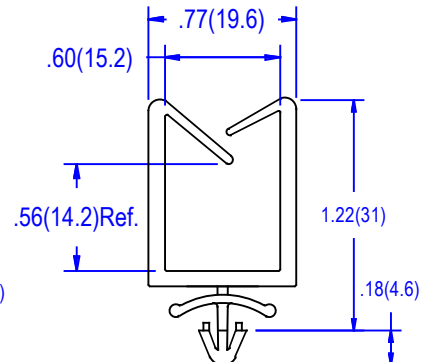
TO LOCK IN A .187 ±.003  
(4.75 ± 0.08) DIA. HOLE,  
.015 TO .090 (0.38 - 2.28)  
PANEL THICKNESS

**03-08-1-20**



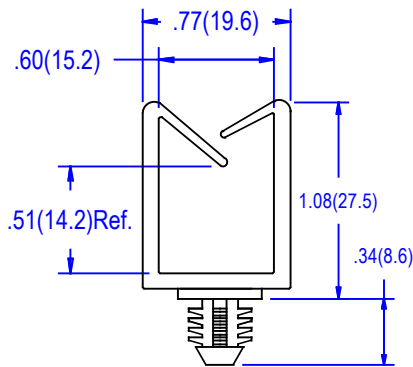
TO LOCK IN A .156 ±.003  
(4 ± 0.08) DIA. HOLE,  
.015 TO .090 (0.38 - 2.28)  
PANEL THICKNESS

**03-08-2-20**



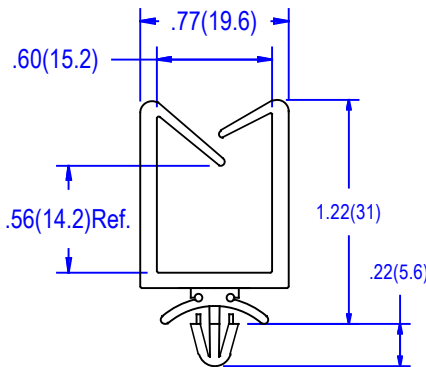
TO LOCK IN A .187 ±.003  
(4.75 ± 0.08) DIA. HOLE,  
.060 TO .125 (1.6 - 3.18)  
PANEL THICKNESS

**03-08-3-20**

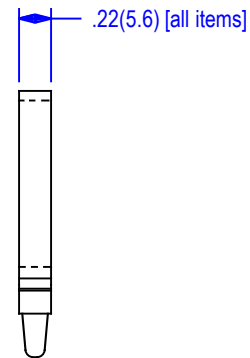


TO LOCK IN A .312 ±.003 (7.9± 0.08) DIA.  
.25 (6.35) MIN. PANEL THICKNESS

**03-08A-20**



TO LOCK IN A .187 ±.003  
(4.75 ± 0.08) DIA. HOLE,  
.1/16 (1.6) PANEL THICKNESS



**PACKAGING : 500 PER BAG**

MATERIAL	NYLON 66
UL RATING	94V-2
UL FILE NO.	E70062
COLOR	NATURAL
ASTM	D 4066, PA111
RoHS COMPLIANCE	YES
TEMPERATURE RANGE (REF.)	-40 to 185°F (-40 to 85°C)
MR NUMBER	01

NYLON 66 RATED UL94V-0 AVAILABLE ON REQUEST.  
TO ORDER ADD SUFFIX "X" TO PART NUMBER.  
TOLERANCE: .xx = ± .010.

				<b>ALL ELECTRONICS HARDWARE , INC.</b> 2642 CPRPORATE PARKWAY ALGONQUIN, IL. 60102. 1-800-778-7234		<b>WIRE SADDLE, 03-08 SERIES</b>		<b>A</b>	09/18/13
No	Revision	Date	Init.			File No.	<b>0308CAT</b>		