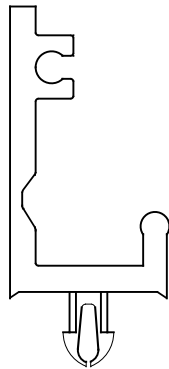
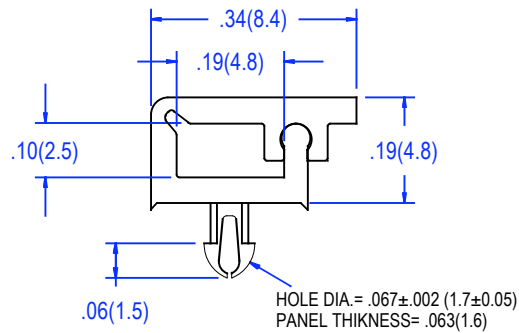
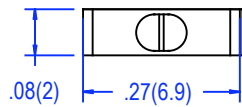


03-67-10



AS SUPPLIED



PACKAGING: 1000 PCS. PER BAG.
 UL 94V-0 MATERIAL AVAILABLE ON REQUEST.
 TO ORDER ADD SUFFIX "X" TO PART NUMBER.



FULL SIZE

MATERIAL	NYLON 66
UL RATING	94V-2
UL FILE NO.	E41938
COLOR	NATURAL
ASTM	D 4066, PA111
RoHS COMPLIANCE	YES
TEMPERATURE RANGE (REF.)	-40 to 185°F (-40 to 85°C)
MR NUMBER	12

					BY	DATE	Title	
							WIRE ROUTING CLAMP MICRO MINIATURE.	
							Part No.	Issue
							.03-67-10	0
							DIMENSIONS Inches mm Tolerance .xx = ± .010 .xxx = .005	
							Drwg. type	2/12/13
							. CATALOG	
No	Revision	Date	Init.				File No.	00367microsaddle
							ALL ELECTRONICS HARDWARE INC. 2642 Corporate Parkway Algonquin, IL. 60102 1-800-778-7234	