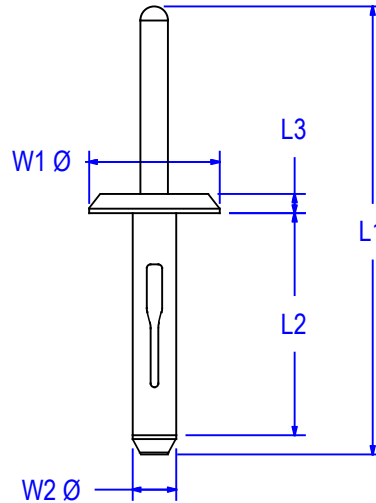


**06-16-series**



Item No	Hole Dia.		Panel Thickness		L1		L2		L3		W1 Ø		W2 Ø	
	± .003 (.008)		Inches	mm	Inches	mm	Inches	mm	Inches	mm	Inches	mm	Inches	mm
06-16-120	.150	(3.9)	.098-.197	(2.5-5.0)	1.89	(48)	.614	(15.6)	.098	(2.5)	.315	(8)	.150	(3.8)
06-16-10	.197	(5)	.118-.157	(3.0-4.0)	1.84	(46.6)	.590	(15)	.071	(1.8)	.350	(8.9)	.193	(4.9)
06-16-20	.197	(5)	.118-.236	(3.0-6.0)	1.88	(47.8)	.669	(17)	.071	(1.8)	.472	(12)	.193	(4.9)
06-16-30	.197	(5)	.236-.393	(6.0-10)	2.0	(50.9)	.866	(22)	.071	(1.8)	.472	(12)	.193	(4.9)
06-16-70	.200	(5.1)	.079-.196	(2.0-6.0)	1.86	(47.3)	.618	(15.7)	.125	(3.2)	.465	(11.8)	.190	(4.85)
06-16-80	.200	(5.1)	.122-.217	(3.1-5.5)	1.86	(47.3)	.677	(17.2)	.075	(1.9)	.484	(12.3)	.190	(4.85)
06-16-110	.228	(5.8)	.137-.216	(3.5-5.5)	2.10	(53.4)	.748	(19)	.106	(2.7)	.787	(20)	.224	(5.7)
06-16-40	.236	(6)	.157-.335	(4.0-8.5)	2.15	(54.6)	.984	(25)	.098	(2.5)	.512	(13)	.237	(5.9)
06-16-90	.240	(6.1)	.157-.311	(4.0-7.9)	2.14	(54.4)	1.0	(25.5)	.098	(2.5)	.661	(16.8)	.236	(6)
06-16-60	.248	(6.3)	.295-.452	(7.5-11.5)	2.29	(58.3)	1.13	(28.2)	.098	(2.5)	.669	(17)	.244	(6.2)
06-16-50	.251	(6.4)	.157-.236	(4.0-6.0)	1.80	(45.6)	.590	(15)	.098	(2.5)	.669	(17)	.248	(6.3)
06-16-100	.260	(6.6)	.098-.197	(2.5-5.0)	1.87	(47.6)	.689	(17.5)	.098	(2.5)	.511	(13)	.256	(6.5)

PACKAGING : 1000 per BAG

**PIN**

MATERIAL	ACETAL
UL RATING	94-HB
UL FILE NO.	E45034
COLOR	BLACK
RoHS COMPLIANCE	YES
TEMPERATURE RANGE (REF.)	-50 to 194°F (-58 to 90 °C)
MATERIAL NUMBER	MR-47

**BODY**

MATERIAL	NYLON 6
UL RATING	94V-2
UL FILE NO.	E41871
COLOR	BLACK
RoHS COMPLIANCE	YES
TEMPERATURE RANGE (REF.)	-40 to 185°F (-40 to 85°)
MR NUMBER	31

					BY	DATE	Title <b>CLINCH RIVET</b> 06-16 SERIES	
					VERIFIED			
					REVIEWED			
					DRAWN	FL	3-6-17	Part No. See table
					DIMS. Inches (mm) Tolerance (unless noted) .xx = ±.010 .xxx = .005			Issue <b>0</b>
					<b>ALL ELECTRONICS HARDWARE INC.</b> 2642 CORPORATE PARKWAY ALGONQUIN, ILLINOIS . 60102 1-800-778-7234			Drwg. type Catalog
								File No. 06-16 series
No	Revision	Date	Init.					