

FIGURE 1

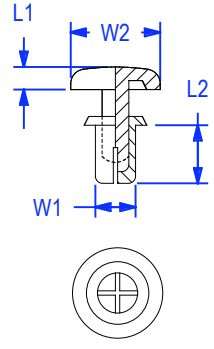
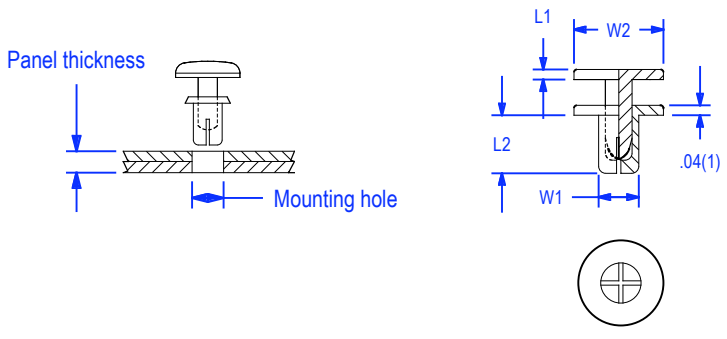


FIGURE 2



FOR USE IN SUSTAINED HIGH TEMPERATURE APPLICATIONS
Color: BLACK

Packaging : 1000 Pcs / Bag

MATERIAL	POLYSULFONE
UL RATING	94V-1
UL FILE NO.	E41871
COLOR	BLACK
RoHS COMPLIANCE	YES
TEMPERATURE RANGE (REF.)	-32 to 310°F (0 to 155°C)
MR NUMBER	34

ITEM NO	HOLE DIA. In (mm)	PANEL THICKNESS Inches (mm)	L1 Inches(mm)	L2 Inches (mm) ±.012. (0.3)	W1 Inches (mm)	W2 Inches (mm)	FIGURE
06-01-3045P 06-01-3055P	.122 - .126 (3.1 - 3.2)	.059 - .098 (1.5 - 2.5) .098 - .138 (2.5 - 3.5)	06 (1.6)	.18 (4.5) .22 (5.5)	.12 (3)	.25 (6.4)	1
06-01-4065P.	.157 - .165 (4 - 4.2)	.138 - .177 (3.5 - 4.5)	04 (1).	.26 (6.5)	.16 (4)	.28 (7)	2

				ALL ELECTRONICS HARDWARE , INC. 2642 CORPORATE PARKWAY ALGONQUIN, IL. 60102 1-800-778-7234	Title	SNAP RIVETS, HI TEMP.	Issue	0
No	Revision	Date	Init.		File No.	0601P RIVETS	Date	02/10/09