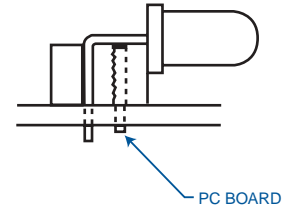
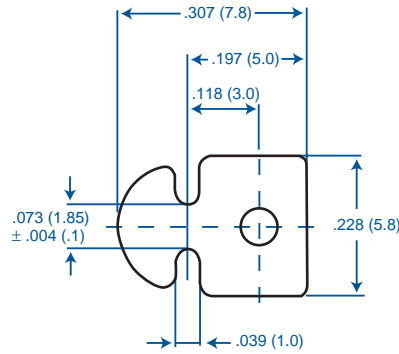


05 SERIES

- Right angle type LED spacer
- Use with .197 (5.0m) diameter LEDs
- Material: UL94V-0 (E58608)



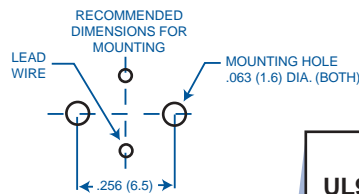
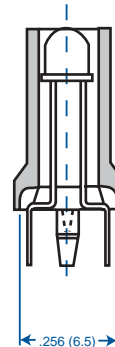
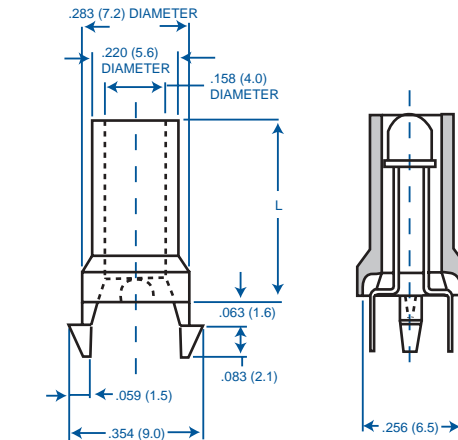
ITEM NO. 09-05-Series	
COLOR:	Black
PACKAGING:	1000/bag
MATERIAL:	Olefin Elastomers



ITEM NO.	L	
	inches	(mm)
09-05-30	.118	(3.0)
09-05-40	.158	(4.0)
09-05-50	.197	(5.0)
09-05-60	.236	(6.0)
09-05-70	.276	(7.0)
09-05-80	.315	(8.0)
09-05-90	.354	(9.0)
09-05-100	.394	(10.0)
09-05-120	.472	(12.0)
09-05-150	.591	(15.0)
Tolerance ±	.004	(.1)

06 SERIES

- For use with straight and formed LED wires
- Holds LED securely in place
- Prevents light dissipation
- Material: UL94V-2 (E53664)



ITEM NO. 09-06-Series	
COLOR:	Black
PACKAGING:	500/bag
MATERIAL:	Nylon 6

ITEM NO. UL94V-2	ITEM NO. UL94V-0	L	
		inches	(mm)
09-06-80	09-06-80X	.315	(8.0)
09-06-100	09-06-100X	.394	(10.0)
09-06-110	09-06-110X	.433	(11.0)
09-06-120	09-06-120X	.472	(12.0)