

LED SPACERS, SQUARE AND 5mm Ø

SQUARE LED SPACERS

FIG. 1
09-08-XX

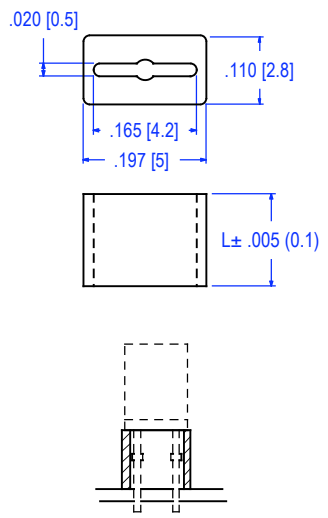


FIG. 2
2 COLOR LED
09-09-XX

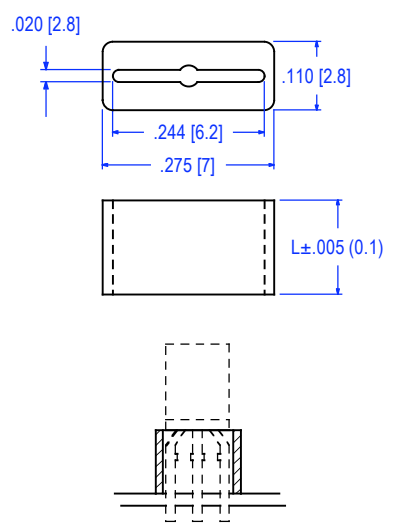


FIG. 1 ITEM NO.	FIG. 2 ITEM NO.	DIM. L	
		Inches	mm
09-08-10	09-09-10	.039	1
09-08-20	09-09-20	.078	2
09-08-30	09-09-30	.118	3
09-08-40	09-09-40	.157	4
09-08-50	09-09-50	.197	5
09-08-60	09-09-60	.236	6
09-08-70	09-09-70	.276	7
09-08-80	09-09-80	.315	8
09-08-90	09-09-90	.354	9
09-08-100	09-09-100	.394	10
09-08-110	09-09-110	.433	11
09-08-120	09-09-120	.472	12
09-08-130	09-09-130	.512	13
09-08-140	09-09-140	.551	14
09-08-150	09-09-150	.590	15

5 mm DIAMETER LED SPACERS

FIG. 3
09-10-XX

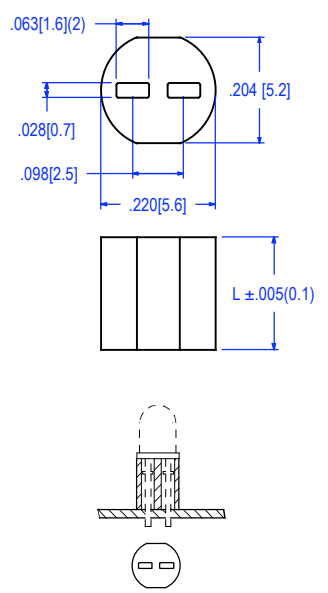


FIG. 3 ITEM NO.	DIM. L	
	Inches	mm
09-10-10	.039	1
09-10-20	.078	2
09-10-30	.118	3
09-10-40	.157	4
09-10-50	.197	5
09-10-60	.236	6
09-10-70	.276	7
09-10-80	.315	8
09-10-90	.354	9
09-10-100	.394	10
09-10-110	.433	11
09-10-120	.472	12
09-10-130	.512	13
09-10-140	.551	14
09-10-150	.590	15

FIG. 4
09-03-XX

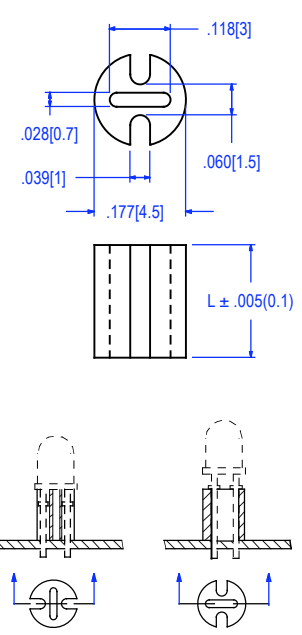


FIG. 4 ITEM NO.	DIM. L	
	Inches	mm
09-03-10	.039	1
09-03-15	.059	1.5
09-03-20	.078	2
09-03-25	.098	2.5
09-03-30	.118	3
09-03-35	.138	3.5
09-03-40	.157	4
09-03-45	.177	4.5
09-03-50	.197	5
09-03-55	.216	5.5
09-03-60	.236	6
09-03-65	.256	6.5
09-03-70	.276	7
09-03-75	.295	7.5
09-03-80	.315	8
09-03-85	.335	8.5
09-03-90	.354	9
09-03-95	.374	9.5
09-03-100	.394	10
09-03-105	.413	10.5
09-03-110	.433	11
09-03-115	.452	11.5
09-03-120	.472	12
09-03-125	.492	12.5
09-03-130	.512	13
09-03-135	.531	13.5
09-03-140	.551	14
09-03-145	.571	14.5
09-03-150	.590	15

- NOTES:**
1. PACKAGING :1000 PCS PER BAG
 2. RECCOMENDED USE: WAVE SOLDER .
 3. NOT RECCOMENDED FOR SOLDER RE-FLOW.
 4. HAND SOLDERING : OK
 6. MAX SPIKE TEMPERATURE: 260°C (500°F) FOR 10 SECS.

MATERIAL	SEPS (PS-Ethylene-PP- Styrene)
UL RATING	94V-0
UL FILE NO.	E58608
COLOR	Black
RoHS COMPLIANCE	Yes
TEMPERATURE RANGE (REF.)	-76 to 248°F (-60 to 120°C)
MR NUMBER	27

				SPACERS, SQUARE & 5mm L E Ds MOUNT			Issue
				Dimensions: Inches (mm)		Tolerance: .XX = .XXX = .010	DRAWN BY FL
A	Changed material No. to MR-27, added high temp. notes	04-09-10	FL	ALL ELECTRONICS HARDWARE INC. 2642 Corporate Parkway Algonquin, IL. 60102 1 800 778 7234			Dwg. Type CATALOG
No	Change	Date	Init				File No. ledspacermounts
							A
							04-09-10