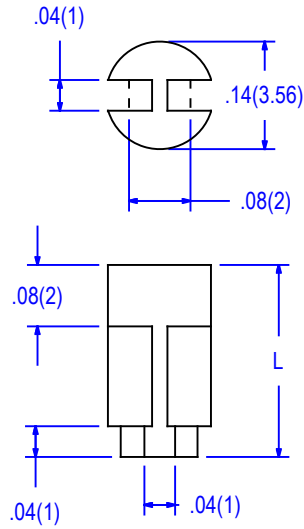


09-16 SERIES
for "T1" series LED.



ITEM NO.	L	
	In. ±.015	mm. ± 0.4
09-16-30	.118	3
09-16-40	.157	4
09-16-60	.236	6
09-16-80	.315	8
09-16-100	.394	10
09-16-120	.432	12
09-16-140	.551	14
09-16-160	.630	16

STANDARD AVAILABLE LENGTHS.
For other sizes minimum order quantity will be required.
Inquiries welcome.

PACKAGING: 1000 PER BAG

MATERIAL	NYLON 66
UL RATING	94V-2
UL FILE NO.	E41938
COLOR	NATURAL
ASTM	D 4066, PA111
RoHS COMPLIANCE	YES
TEMPERATURE RANGE (REF.)	-40 to 185°F (-40 to 85°C)
MR NUMBER	12

No	Revision	Date	Init.	BY	DATE	Title	Part No.	Issue
						.LED SPACER For "T1" series LED	09-16 series	O
				CUSTOMER APPROVAL				
				VERIFIED				
				REVIEWED	FL .			
				DRAWN	FL 8-28-15			
				DIMENSIONS Inches (mm) Tolerance .xx = ± . .xxx =				
				ALL ELECTRONICS HARDWARE INC. 2642 Corporate Parkway Algonquin, IL. 60102 1-800-778-7234		Drwg. type	CAT	9-1-15
						File No.	09-16series	⊕