

**HOLE DIAMETER**  
 .156±.003  
 (4±0.08)

**PANEL THICKNESS**  
 .062  
 ( 1.57 )

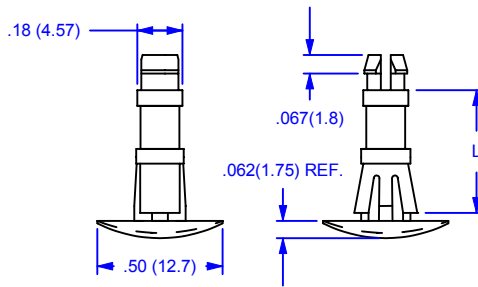
**01-36**

.213±.003  
 (5.4±0.08)

.04 -.062  
 ( -1- 1.57 )

PART NO.	L	
	In.	mm
01-36-80	.31	8
01-36-100	.39	10
01-36-120	.47	12
01-36-140	.55	14

PACKAGING : 1000 PER BAG



.152 ±.003  
 (4±0.08)

.062  
 ( 1.57 )

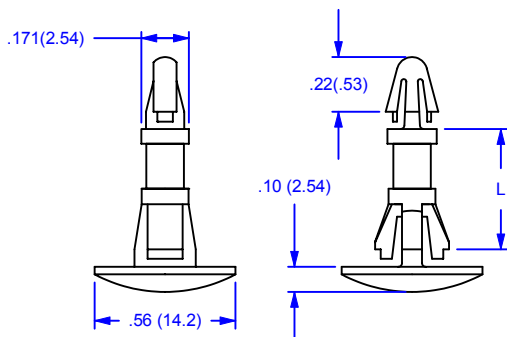
**01-39**

.213±.003  
 (5.4±0.08)

.04 -.062  
 ( -1- 1.57 )

ITEM NO	L	
	±.015 In.	(0.38) mm
01-39-60	.380	9.6
01-39-80	.506	12.8
01-39-100	.630	16
01-39-120	.754	19.2
01-39-140	.816	20.7
01-39-160	1.00	25.4

PACKAGING : 1000 PER BAG



.156±.003  
 (4±0.08)

.062  
 ( 1.57 )

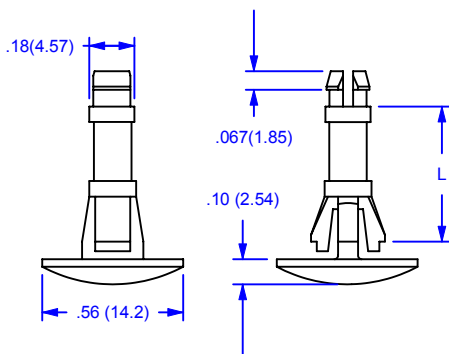
**01-41**

.250±.005  
 (6.35±0.13)

.050 TO .062  
 (1.27 TO 1.57)

ITEM NO.	L	
	In.	mm
01-41-50	.295	7.5
01-41-60	.357	9.06
01-41-80	.481	12.2
01-41-100	.605	16.5
01-41-120	.73	18.4
01-41-140	.853	21.7
01-41-160	1.04	26.28

PACKAGING : 1000 PER BAG



.152 ±.003  
 (4±0.08)

.062  
 ( 1.57 )

**01-42**

.250±.005  
 (6.35±0.13)

.050 TO .062  
 (1.27 TO 1.57)

ITEM NO.	L	
	In.	mm
01-42-60	.367	9.32
01-42-80	.492	12.5
01-42-100	.617	15.67
01-42-120	.742	18.85
01-42-140	.867	22.02
01-42-160	.992	25.20
01-42-180	1.06	26.92

PACKAGING : 1000 PER BAG

MATERIAL	NYLON 66
COLOR	NATURAL
ASTM	D 4066, PA0113
UL RATING	94V-2
UL FILE NO.	R70062
RoHS COMPLIANCE	YES
TEMPERATURE RANGE (REF.)	-40 to 185°F (-40 to 85°C)
MR NUMBER	01

OTHER LENGTHS AVAILABLE UPON REQUEST

94V-0 RATED NYLON AVAILABLE UPON REQUEST  
 TO ORDER ADD SUFFIX X TO ITEM NUMBER

				ALL ELECTRONICS HARDWARE , INC. 90 NORTH LIVELY BLVD. ELK GROVE VILLAGE, ILLINOIS 60007-1317 TEL.1-800-778-7234	REVERSECBS File No. REVCBS	16-9-05 
No	Revision	Date	Init.			